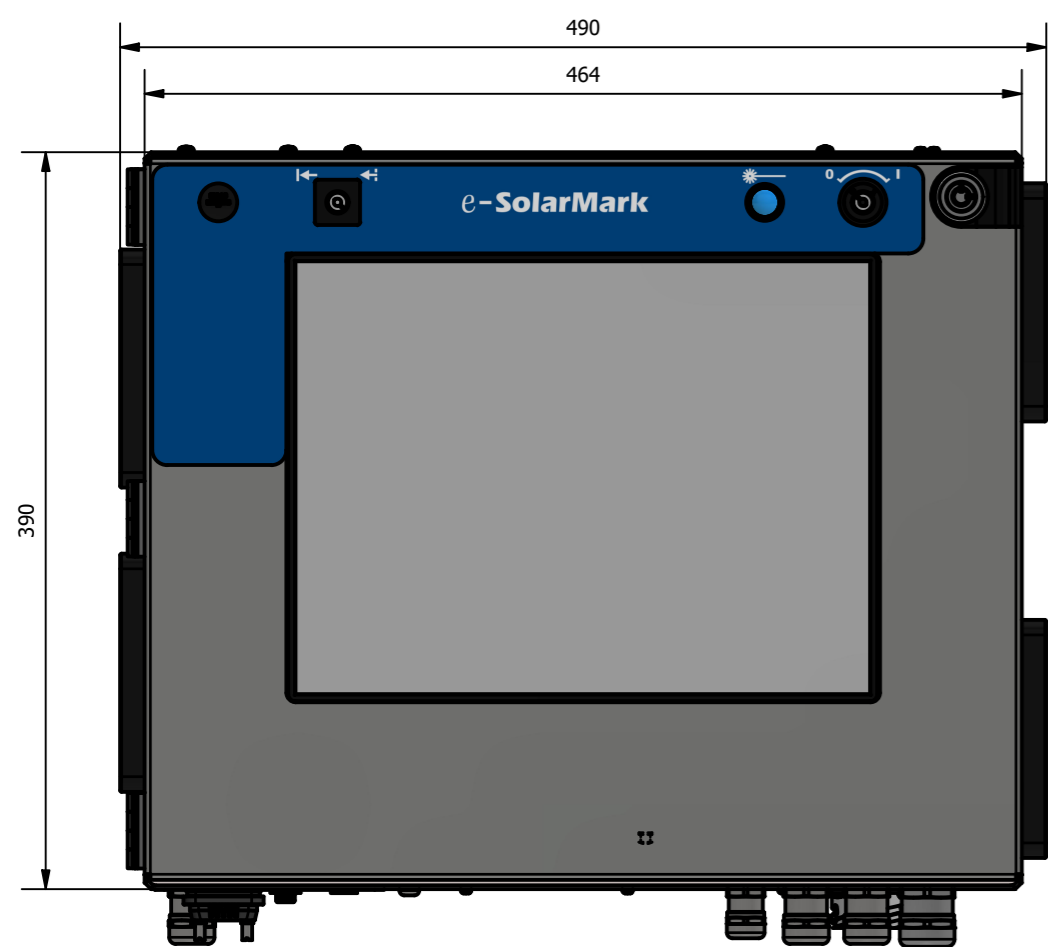
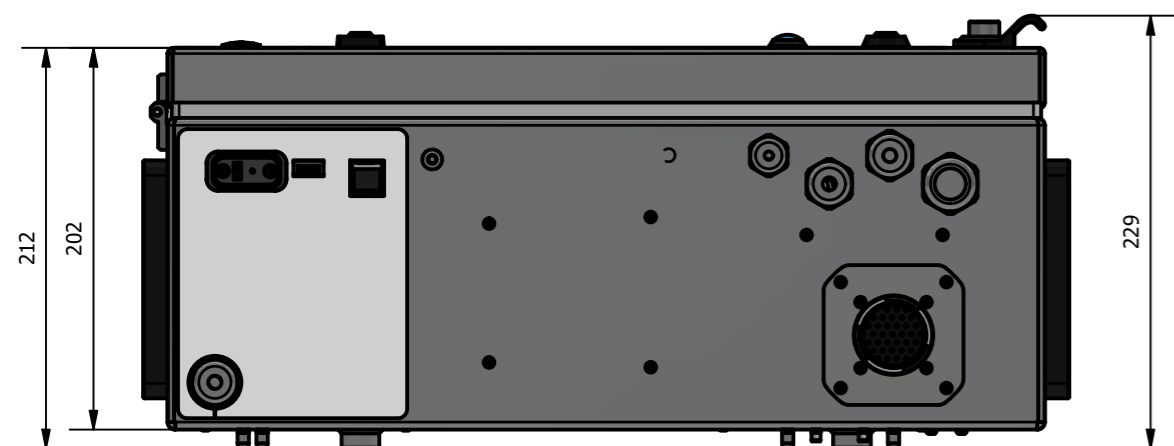
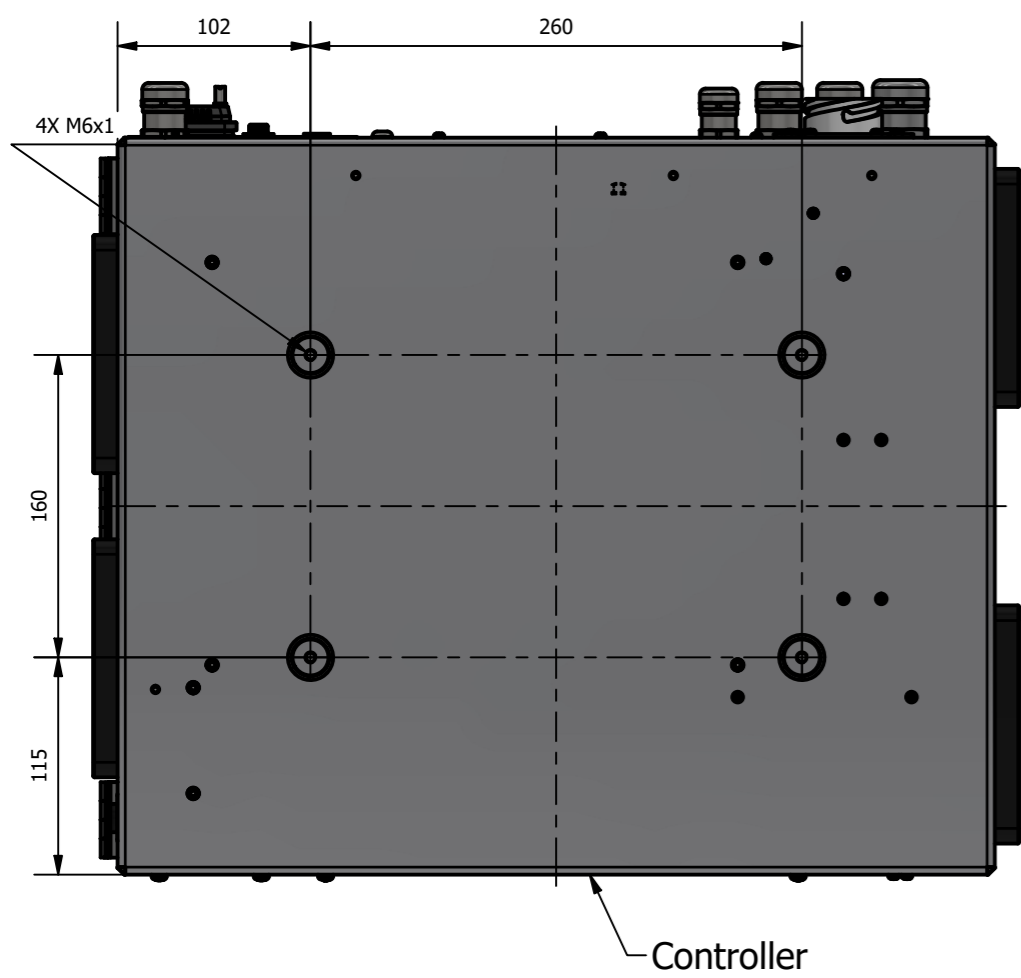
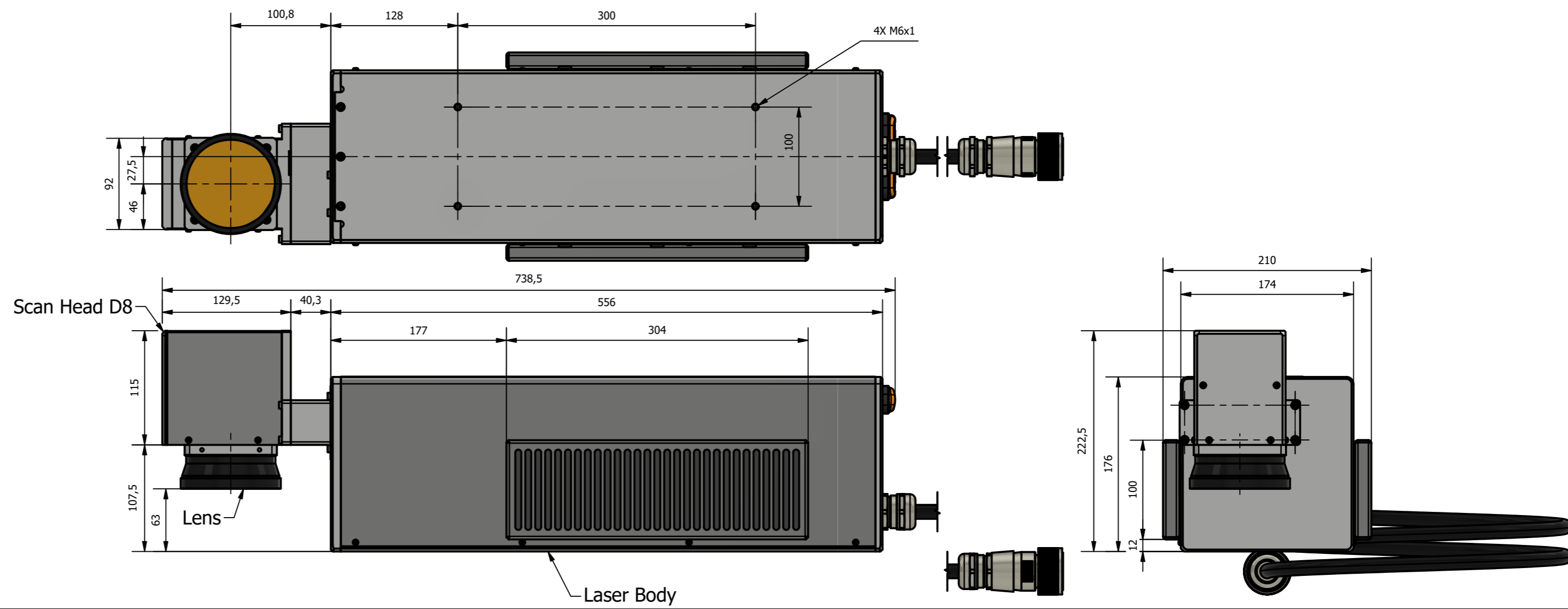


Controller (1:4)



Marking Unit (1:4)



e-SolarMark+ eDLV UV 3W 0.355 (1:5)

- Lens:**
- 150x150 focal
  - 300x300 focal
- Umbilical:**
- Umbilical length 3.3mm
  - Umbilical length 6mm
  - Umbilical length 8mm

